



BHAGWATI

Hydraulic, Lubrication &
Industrial Filters / Elements



HIGH PRESSURE INLINE FILTERS

For working pressure of 250 and 400 bar.



Type	LPM	Connections BSP (F)	
		Inlet	Outlet
$\frac{250}{400}$ L 10	10	1/2"	1/2"
$\frac{250}{400}$ L 18	18		
$\frac{250}{400}$ L 32	32		
$\frac{250}{400}$ L 56	56	3/4"	3/4"
$\frac{250}{400}$ L 90	90	1"	1"
$\frac{250}{400}$ L 140	140	R OR SAE	
$\frac{250}{400}$ L 225	225	1 1/4"	1 1/4"
$\frac{250}{400}$ L 360	360	1 1/2"	1 1/2"
$\frac{250}{400}$ L 460	460	1 1/2"	1 1/2"

HIGH PRESSURE MANIFOLD

Flanged Filter for working pressure of 250 bar and 400 bar.



Type	LPM	Connections
250 F 10	10	DN 14
250 F 18	18	DN 14
250 F 32	32	DN 14
250 F 56	56	DN 18
250 F 90	90	DN 18
250 F 140	140	DN 32
250 F 225	225	DN 32
250 F 360	360	DN 32
250 F 460	460	DN 32

IN LINE LOW / MEDIUM PRESSURE FILTERS

For working pressure of 25 and 100 bar



Type	LPM	Connections BSP (F)
$\frac{25}{100}$ L 10/18/32	10/18/32	R 1/2"
$\frac{25}{100}$ L 56	56	R 3/4"
$\frac{25}{100}$ L 90	90	R 1"
$\frac{25}{100}$ L 140	140	R 1 1/4"
$\frac{25}{100}$ L 225	225	R 1 1/2"
$\frac{25}{100}$ L 225/360	225/360	R 1 1/2"
$\frac{25}{100}$ L 225/460	225/460	R 1 1/2"
$\frac{25}{100}$ L 561	561	Flange DN 80
$\frac{25}{100}$ L 901	901	Flange DN 100
$\frac{25}{100}$ L 1401	1401	
$\frac{25}{100}$ L 1801	1801	

TANK TOP MOUNTED RETURN LINE FILTERS

SIMPLEX (RA) & TR SERIES
DUPLIX (DR) SERIES



Type	LPM	Connections BSP (F)	Working pressure	
16 RA/DR 56	56	R 3/4"	16 bar	
16 RA/DR 90	90	R 1"	16 bar	
16 RA/DR 140	140	R 1 1/4"	16 bar	
16 RA/DR 225	225	R 1 1/2"	16 bar	
16 RA/DR 225/360	360	R 1 1/2"	16 bar	
16 RA/DR 225/450	450	R 1 1/2"	16 bar	
		Inlet	Outlet	
TR - 25	25	1/2"	1/2"	10 bar
TR - 60	60	3/4"	3/4"	10 bar
TR - 100	100	1"	3/4"	10 bar

DUPLEX FILTERS

For working pressure of 25 and 100 bar
(160 bar on Request)



Type	LPM	Connections BSP (F)
²⁵ / ₁₀₀ D 10	10	R 1/2"
²⁵ / ₁₀₀ D 18	18	R 1/2"
²⁵ / ₁₀₀ D 32	32	R 1/2"
²⁵ / ₁₀₀ D 56	56	R 3/4"
²⁵ / ₁₀₀ D 90	90	R 1"
²⁵ / ₁₀₀ D 140	140	R 1 1/4"
²⁵ / ₁₀₀ D 225	225	R 1 1/2"
²⁵ / ₁₀₀ D 225/360	360	R 1 1/2" OR 4-cornered FL, New 36 DN-FL, New 36
²⁵ / ₁₀₀ D 225/460	460	R 1 1/2" OR 4-cornered FL, New 36 DN-FL, New 36
²⁵ / ₁₀₀ D 361	361	DN 50
²⁵ / ₁₀₀ D 561	561	DN 80
²⁵ / ₁₀₀ D 901	901	DN 80
²⁵ / ₁₀₀ D 1401	1401	DN 100
²⁵ / ₁₀₀ D 1801	1801	DN 100

SUCTION STRAINERS

For installation in Oil tank
below liquid level
on the pump suction inlet pipe



Type	GPM	Connections BSP(F)
SG 05	05	1/2"
SG 07	07	3/4"
SG 10	10	1"
SG 15	15	1 1/4"
SG 20	20	1 1/2"
SG 30	30	1 1/2"
SG 40	40	2"
SG 50	50	2"
SG 75	75	2 1/2"
SG 100	100	3"

ELEMENTS (Hydraulic & Lubrication)

S.S. WELDED ELEMENTS (High Viscous & High Temp. Fluids)

*Special Elements can also be supplied
as per customer's requirement



ELEMENTS

Materials :

- (a) Resin impregnated Imported paper (P)
- (b) Imported Inorganic fibre and polyester matting (H)
- (c) Imported Water Absorbent (W)
- (d) Imported Non-Woven (N)
- (e) Stainless Steel wire mesh (G)

Micron Rating :

- (a) Nominal : 5, 10, 25, 40, 60, 100, 130 & above
- (b) Absolute : 1, 3, 6, 10, 20

Diff Pressure resistance :

30 bar (Standard) 60, 160 & 330 bar (on request)

S.S. WELDED ELEMENTS

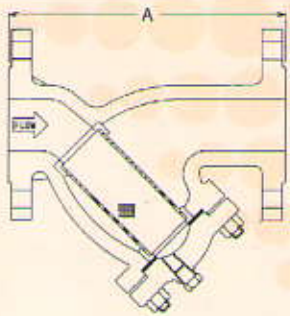
Filtration :

Absolute / Nominal

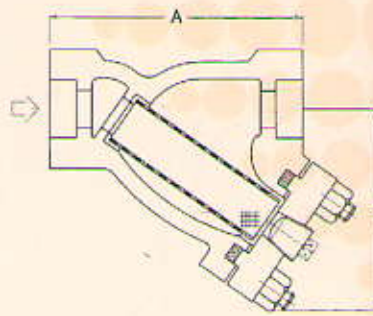
Micron Rating :

- (a) Nominal : 5 microns to 100 microns
- (b) Absolute : 1 micron to 60 microns

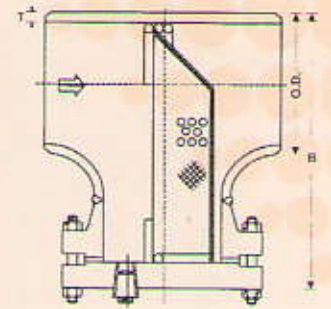
Y STRAINERS, TEE STRAINERS



FLANGED



THREADED



TEE

End Connection : Flanged / Buttweld / Screwed / Socketweld

Pressure Rating :

Flanged / Buttweld : ANSI B 16.5 CLASS : 150, 300 & 600

Screwed / Socketweld : ANSI B 16.11, CLASS : 800

Screen Available : 2 Mesh to 200 mesh (up to 80 microns)

Finer on demand

Sizes Available : Flanged / Buttweld : 15 NB to 600 NB

Screwed / Socketweld : 15 NB to 80 NB

Special Strainer on demand : Rubber lined / PTFE lined / Jacketed

Standard Free Flow Area : 300% Pipe Flow Area

Pressure Drop : 0.05 BAR IN 100% clean condition (Average)

0.08 BAR in 50% clogged condition (Average)

M.O.C. :

STEEL, SS304, SS316, OTHER OPTIONS
AS PER CUSTOMER REQUIREMENTS

PARTICAL COUNTER



TESTING :

- * End load test.
- * Bubble point / fabrication integrity test.
- * Hydraulic testing of filter at 1.5 times the normal working pressure
- * Testing of By-pass valve at operating pressure.
- * Testing of Clogging indicator at operating pressure.



BHAGWATI FILTERS PVT. LTD.

Regd. Office & Works Address: 114/3, G.I.D.C., Odhav, Ahmedabad – 382 415, Gujarat, India.

Phone: +91 79 2287 1980 / 2287 4065 / 2289 3776 Fax: +91 79 2289 0607

Email: contact@bhagwati-filters.com, sales@bhagwati-filters.com

Website: www.bhagwati-filters.com